

Owner's Manual

for Assembly, Operating & Maintenance of
Model A2CC Country Club Gas Grill



**YOU MUST READ THIS OWNER'S MANUAL
BEFORE OPERATING YOUR GAS GRILL.**

DANGER

IF YOU SMELL GAS:

1. SHUT OFF GAS TO APPLIANCE
2. EXTINGUISH OPEN FLAMES
3. OPEN LID (IF APPLICABLE)
4. IF ODOR CONTINUES, KEEP AWAY FROM THE APPLIANCE AND IMMEDIATELY CALL YOUR GAS SUPPLIER OR FIRE DEPARTMENT.

LEAKING GAS MAY CAUSE FIRE, EXPLOSION,
PERSONAL INJURY, DAMAGE TO PROPERTY, AND
DEATH.

WARNING: Follow all leak-check procedures listed in this manual carefully prior to operation of this unit. Do this even if the grill was assembled by a professional.

WARNING: Do not ignite this grill without reading the **LIGHTING INSTRUCTIONS** first.

WARNING: **DO NOT** store or use gasoline or other flammable liquids/vapors in the vicinity of this grill.

An LP Cylinder not connected for use should not be stored in the vicinity of this unit.

THIS GAS GRILL IS DESIGNED FOR OUTDOOR USE ONLY.

526 EAST ROLLING RIDGE DRIVE, BELLEFONTE, PA 16823

P: 814-359-2755

F: 814-359-2621

sales@bigjohngrills.com

TABLE OF CONTENTS

1. PROPANE SAFETY - GENERAL	Page 3
2. PROPANE SAFETY - CYLINDER	Page 4 & 5
3. PROPANE SAFETY - QCC	Page 6
4. GENERAL INFORMATION	Page 7
5. ASSEMBLY INSTRUCTIONS	Page 8
6. SET-UP INSTRUCTIONS	Page 9
7. OPERATING INSTRUCTIONS	Page 10
8. CLEANING & CARE INSTRUCTIONS	Page 11
9. PARTS LIST	Page 12 & 13
10. ACCESSORY LIST	Page 14
11. TROUBLESHOOTING GUIDE	Page 15 & 16
12. WARRANTY	Page 17
13. WARNINGS	Page 18

PROPANE SAFETY - GENERAL

- Liquid propane (LP) gas is a petroleum product as are gasoline and natural gas. In normal temperatures and pressures, LP gas is a gas. When moderate pressure is applied, inside a cylinder, LP gas becomes a liquid. As the pressure is released the liquid readily vaporizes and boils off as a gas.
- LP gas has no odor, but rather an odor additive so you can smell it.
- Propane gas is denser than air, if a propane tank purges to relieve pressure build-up, the propane will collect in low lying areas. These areas can be easily ignited and are highly flammable. Use caution when dealing with a propane tank that may have recently self-purged.
- **DO NOT paint propane tanks any color other than white. Any alteration to tank color will result in tank purging, fire, personal injury, or death.**
- Big John Grills & Rotisseries uses high quality Worthington Cylinders in 30 lb. and 40 lb. sizes. These tanks are protected with a rust-resistant white powder coat finish.
- Always keep the cylinder valve closed when not in use.
- Cylinders are designed to function with the valve completely open or completely closed, there is no in-between. Never open the valve just a “crack” or “half way”.
- Always position the propane cylinder so that the connection between the valve and the regulator will not cause any sharp bends in the hose.
- NEVER store or use propane cylinders indoors.
- Make sure the POL or QCC Connector is free from scratches or nicks which can cause gas leaks.
- DO NOT store or use gasoline or other flammable liquids or vapors in the vicinity of a gas appliance.
- DO NOT store extra liquid propane cylinders within the vicinity of a gas appliance.
- DO NOT store a liquid propane cylinder in/on any part of an appliance not intended for such use. Improper storage of a cylinder could lead an explosion, fire, personal injury, or death.
- DO NOT store or lean items against unit surface or fuel cylinders while operating.
- Shut off unit and all gas sources if the odor of unburned gas is detected. Make no attempt to use the unit until gas leaks are fixed and/or the odor is accounted for.
- Do NOT use a damaged, dented, or rusty LP cylinder or a cylinder with a damaged valve - replace with a new one immediately.
- Replacement LP tanks must match the regulator connection supplied with this grill and be a minimum of 30 lb. capacity.

LIQUID PROPANE TANK REQUIREMENTS

- For tanks not purchased from Big John Grills & Rotisseries: check to be sure cylinders have been tested within the past 5 years and have a D.O.T. certification. Your LP gas supplier can do this for you.
- All LP tank supply systems must have a collar to protect the cylinder valve.
- All tanks used on Big John Grills equipment must be a minimum of 30 lb. size.
- Tanks larger than 100 lbs. in size may require a POL for connection. Please call a Big John Customer Service Representative if you are using a 100 lb. propane tank.

PROPANE SAFETY - CYLINDER

DISCONNECTING AND TRANSPORTING PROPANE CYLINDERS FOR REFILLING

- Turn off all control knobs and close the main cylinder valve. Disconnect regulator with QCC.
- Place cylinder valve plug snugly in the main cylinder valve outlet. Only use the cylinder valve plug that is provided with the cylinder. Other types of caps or plugs may result in leakage of propane.
- Treat “empty” LP cylinders with the same care as full ones. Even when the tank is empty, there is still some gas pressure left in the cylinder.
- Always transport and store propane cylinders in a secure, upright position. Never store these propane tanks on their side, handle them roughly, or drop them.
- Never keep propane cylinders (full or empty) in a hot vehicle. Heat can cause the relief valve to purge propane creating a very dangerous situation.
- To fill, take the LP cylinder to a propane gas dealer **WARNING: We strongly recommend that your LP cylinder be filled by an authorized propane dealer, by a qualified attendant, who fills the tank by weight. IMPROPER FILLING IS DANGEROUS.**
- Air must be purged from a new LP cylinder before the initial filling. Your LP dealer will do this.

STORING PROPANE CYLINDERS

- Turn off all control knobs and close the main cylinder valve.
- Place cylinder valve plug or cap snugly in main cylinder valve outlet.
- Always store propane cylinders in a secure, cool/dry place in the upright position.
- Never store propane cylinders in a vehicle of any kind and or anywhere the temperatures can reach 125° F.

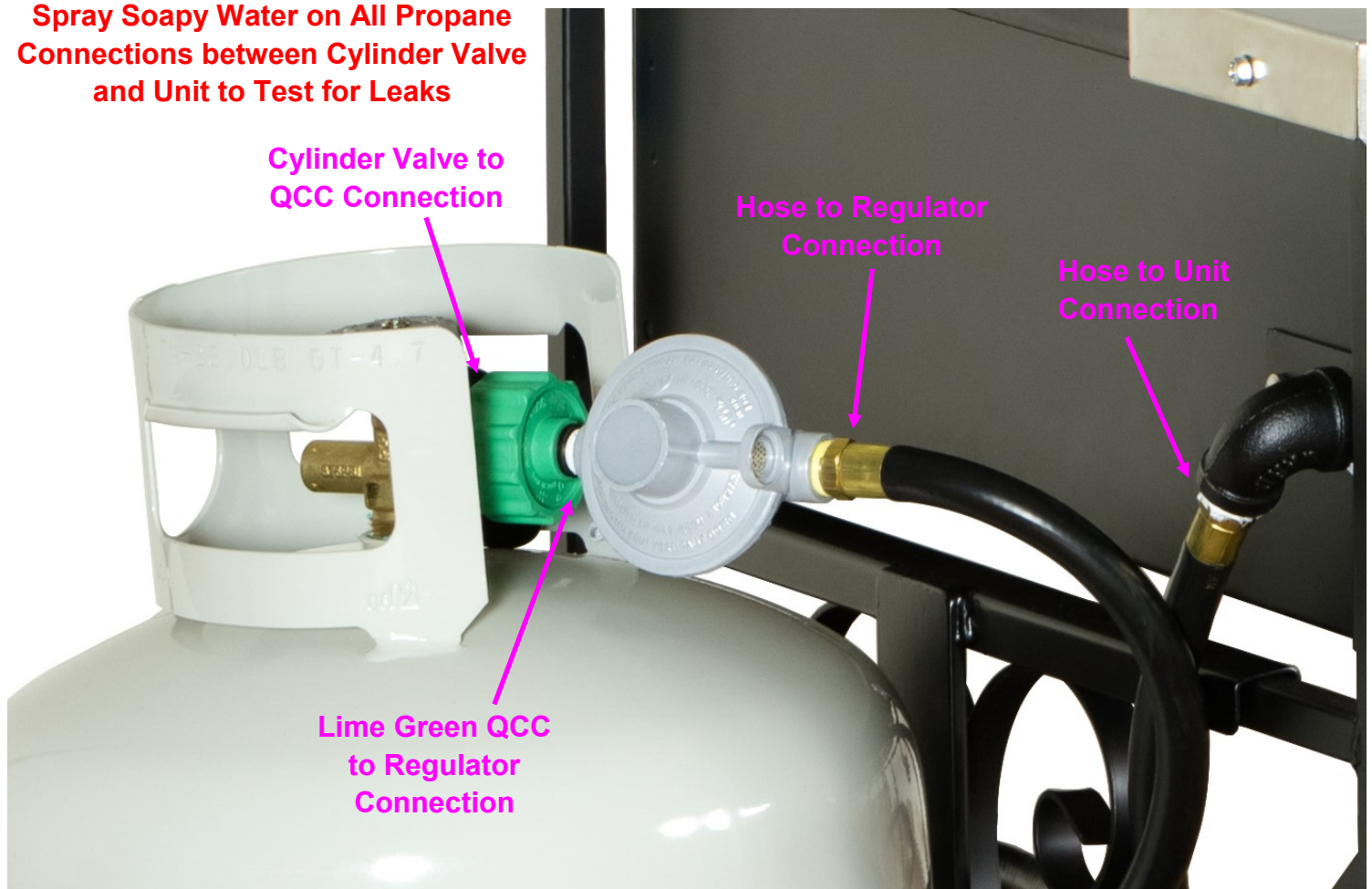
PROPANE SAFETY - CYLINDER

CONNECTING A FILLED 30 LB. CYLINDER

- Remove the main cylinder plug.
- Make sure that all gas valves on the grill are in the “OFF” position.
- Thread the QCC Connector or POL Connection snugly into main cylinder.
- ALWAYS check for leaks. Apply soapy water with a brush or spray bottle to areas where the QCC (or POL) screw into tank, where the QCC (or POL) attach to regulator, where the hose screws into the regulator, and where the hose screws into the appliance.
- Open the cylinder valve and watch for bubbles.
- If bubbles appear, tighten the connections further. If this does not remedy the problem, call your propane dealer.
- If the system is free of leaks, light the burners and proceed to cook.
- In the event of a QCC failure, your grill will not light or stay lit, see page 15 for troubleshooting.

If you suspect any problems, have your grill and tank serviced by a qualified professional.

Spray Soapy Water on All Propane Connections between Cylinder Valve and Unit to Test for Leaks



PROPANE SAFETY - QCC

HOW A QCC VALVE WORKS

There is a safety check valve inside our bright green QCC-1 fitting. Once the regulator is connected to the propane tank and the main cylinder is "OPEN", a minimal amount of gas is allowed to flow through the check valve. If there are no downstream leaks, the pressure on both sides of the check valve will equalize and the spring loaded stopper will open allowing maximum gas to flow. This only takes a few seconds to complete and then you can start the lighting procedure.

IF THE QCC INDICATES FAILURE

If there is a downstream leak, or if you have started with a control valve "OPEN", the pressure will not equalize on both sides of the QCC check valve and it will fail. The only gas flow you will have is a small amount that is designed to flow around the check-valve, the equivalent of 5,000 BTU's. This may allow you to light part of a burner, but not much more. When you open a control valve to light another burner, you will not get any additional flame and may experience a blow out where none of the burners will light. In case of a QCC failure, follow procedure below:

TO TROUBLESHOOT THE PROBLEM

CHECK:

1. Check that all of the control valves are in the "CLOSED" position.
 2. Check that you are using at least a 30# propane tank
 3. Check that you have lava rock in the grill
 4. Check that the QCC is lime green - black or dark green will cause lighting problems.
- If everything is correct, reset the system.

SOLUTION:

To reset: Close all of the control valves on the grill & close propane tank valve. Then start the lighting procedure from the beginning. If the problem persists, Check for Leaks:

If you experience a QCC Failure, first check your system for leaks:

1. Turn off all control valves and turn off propane tank
2. Extinguish any remaining open flames
3. Let gas dissipate until odor is no longer detected
4. Make sure all control valves are closed and gas tank valve is off
5. In a spray bottle, mix together dish soap and water
6. Spray the following with soapy water mixture
 - a. Tank Valve to QCC (part that screws into tank from regulator)
 - b. QCC to Regulator
 - c. Regulator to Hose
 - d. Entire hose
 - e. Hose to Grill
 - f. Each Control Valve where it Connects to Manifold
 - g. Manifold end cap (opposite side from hose connection)
7. Turn on propane tank
8. Inspect each connection and length of hose for any bubbles being produced
9. If bubbles are detected (bubbles indicate gas is escaping), turn off propane tank and call Big John Grills to order replacement parts. Do not go to your local hardware store.
10. If no bubbles are detected, check to see if propane tank is empty.
11. If tank is not empty, please call Big John Grills for further assistance

If you need assistance at any time please call
Big John's Customer Service at 1-800-326-9575 or 814-359-2755

GENERAL INFORMATION

Thank you for purchasing a Big John Country Club Gas Grill! We take pride in producing and selling equipment made right here in America and are pleased that you recognized the quality and durability of our products. Your new grill is a commercial grade, outdoor piece of cooking equipment. With this unit, you will be able to cook a variety of foods quickly and easily. The lava rock and searing heat provides the great outdoor grilling flavor that cannot be matched by radiant style grills. Due to exceptional portability, Big John grills are preferred by professional chefs and caterers for cooking at offsite catering events & festivals, restaurants, hotels & resorts, golf courses, personal homes and many more. Please read the information provided below before using your grill for the first time.

- Big John products are designed for **OUTDOOR USE ONLY!** Only operate this equipment in a well-ventilated area. Do not use in garage, building, or other enclosed area. Operation of this equipment indoors or in a poorly ventilated area may cause an explosion, fire, personal injury, or death.
- **ONLY** use the hose and regulator supplied with this grill from the manufacturer. Any attempt to use parts found in a hardware store may result in the grill not functioning properly which could lead to an explosion, fire, personal injury, or death.
- Do not retrofit any equipment or accessories to the unit that are not part of the original equipment provided by Big John Grills & Rotisseries. Replacement parts must be obtained from the manufacturer. Any attempt to change or modify this unit could result in an explosion, fire, personal injury to yourself or someone else, or death and will void your warranty.
- Do not touch or allow any contact with the sides, back, or top of grill after lighting. The unit is **EXTREMELY HOT!** Allow the grill to cool completely before touching any metal surface.
- **DO** not operate grill within 12" of a combustible or non-combustible surface. Provide adequate clearance and ventilation at all times.
- **WARNING!** Use of this grill in high wind conditions may result in poor burner operation (low flame, blowing out, flaring up, etc.). Avoid these conditions if possible by repositioning grill. If repositioning does not improve operation, discontinue use and turn off grill until conditions improve.
- **DO NOT** perform any maintenance until grill is completely cooled down.
- Liquid propane gas supply is easy to use and gives more temperature control than charcoal.
- This grill is a lava rock char broiler grill and therefore, factory supplied lava rock must be placed around burners for grill to operate properly. **DO NOT** experiment with other materials. Failure to use lava rock will result in grill malfunction and could result in personal injury or property damage.

ASSEMBLY INSTRUCTIONS

This unit ships 90% assembled and we make sure the instructions for the rest are easy to follow and perform. Please follow the instructions below to ensure your grill is properly assembled for safe operation. Please remember this is a commercial piece of equipment and therefore the materials used to build it are of the best quality. Because of this, the grill weight is considerable and will require 2 people to un-package, assemble, and set-up the unit.

1. Your Country Club grill is shipped upside down for protection.
2. Unbox the unit and, while upside down, attach the wheels.
 - A. Attaching the 8" Wheels:
 - i. Adjust nut to have a 1/4" clearance between the wheel bearing and the nut
 - ii. Thread wheel assembly into lower threaded hole and lock nut against frame



- B. Attaching the 4" Caster Wheels
 - i. Locate coupler on opposite side of cart.
 - ii. Screw threaded stem of caster into coupler
 - iii. Tighten using thin wrench of caster wrench purchased from Big John Grills



3. Remove all packing materials, tape, protective laser paper (can be white, gray, or clear in color) from stainless, and plastic coverings.
4. Follow hood assembly instructions if applicable.

SET-UP INSTRUCTIONS

1. Place grill on a level area clear of any combustible materials. **THIS UNIT IS BUILT FOR OUTDOOR USE ONLY** and should be operated in a well ventilated area.
2. Remove cooking grates and empty one bag of lava rock in each section - directly on top of the burner tubes and burner insert pan. You want 1 even layer of rocks covering the burner tubes.
3. Replace cooking grates
4. Securely connect the regulator to the propane cylinder and test for leaks according to the instructions found on PAGE 5 & 6 of this manual.
 - A. QCC Connection: The bright green QCC connector on a regulator threads snugly and easily onto the external threads of the propane cylinder valve by turning the QCC clockwise.
 - B. POL Connection: The POL connector on a regulator is inserted into the propane cylinder valve and screws in by turning counter clockwise using the black plastic hand wheel or wrench.
6. Ensure all control valves are in the CLOSED position (parallel to the work shelf with all knob ends turned to the left).
7. We recommend curing your grates by applying a coating of vegetable oil to each grate prior to lighting your grill. Heating the grates for approximately 20 minutes prior to using the grill for the 1st time will cure the oil to the grates and get the lava rock ready.
8. Open cylinder valve completely and allow system to pressurize - takes about 1 minute.
9. **TO LIGHT THE GRILL:** Hold a lit long handled butane lighter gun or fireplace match down through the cooking grates next to a burner and open the control valve (turn it so black knob is pointing at you). The burner will ignite instantly with a *POOF* sound. Remove lighter and open 2nd control valve - it will light instantly from the 1st. Repeat for each section of the grill until all burners are lit.
10. **TO TURN OFF GRILL:** Simply turn all of the control knobs to the CLOSED position (parallel to the work shelf with all knob ends turned to the left), close main cylinder valve, and disconnect the propane cylinder.



OPERATING INSTRUCTIONS

1. DO NOT ATTEMPT TO LIGHT UNIT WITHOUT REMOVING THE WEATHER COVER OR OPENING THE STAINLESS STEEL HOOD. Gas can accumulate and cause RAPID IGNITION. Always be sure unit is lit before closing the hood.
2. Ensure all control valves are in the CLOSED position (parallel to the work shelf with all knob ends turned to the left).
3. Securely connect the regulator to the propane cylinder and test for leaks according to the instructions found on PAGE 5 & 6 of this manual.
4. Generously coat grates with vegetable oil or oil-based cooking spray.
5. Open cylinder valve completely and allow system to pressurize - takes about 1 minute.
6. **TO LIGHT THE GRILL:** Hold a lit long-handled butane lighter gun or fireplace match down through the cooking grate next to a burner and open the control valve (black knob is pointing at you). The burner will ignite instantly with a *POOF* sound. Remove lighter and open 2nd control valve - it will light instantly from the 1st. Repeat for each section of the grill you plan to use.
7. Once burners are lit, adjust the control knobs to set desired temperature. Grill will reach ~800° in approximately 5-8 minutes if running at full blast.
8. **TO TURN OFF GRILL:** Simply turn all of the control knobs to the CLOSED position (parallel to the work shelf with all knob ends turned to the left), close main cylinder valve, and disconnect the propane cylinder. NEVER turn grill off by closing cylinder valve first.
9. Wait approximately 10-15 minutes before attempting to clean or coat grates with vegetable oil. You want to give the lava rock enough time to cool down otherwise flare-ups may occur.

CLEANING & CARE

Remember, open flame cooking can cause significant splatter that can bake onto surfaces. Unlike oven or top burner cooking, the meat is not in a pot or pan and grease laden smoke will reach all surfaces. More cleaning is necessary to keep stainless steel components, like the front work shelf, bright and new. Stainless Steel can be cleaned with cleanser, nylon scouring pads, oven cleaner, or special stainless steel cleaner found in hardware stores.

TO CLEAN COOKING GRATES:

1. Turn off the grill and wait approximately 10-15 minutes before attempting to clean. Grates will still be warm to touch so wear protective gloves if necessary.
2. **STAINLESS STEEL GRATES:** Clean grates with non-metallic pad, like Scotch-Brite or a brass bristle brush, once grates have cooled. **DO NOT USE A WIRE BRUSH ON STAINLESS STEEL GRATES.** It will leave metal particles behind that rust. Rub grate in a back and forth motion, do not use circular or go against the grain. If necessary, remove grates from grill, use oven cleaner, and let sit for several hours. Then clean in hot soapy water. However, you want to leave a layer of black carbon build-up on the grate which acts as a non-stick surface.
3. **CAST IRON GRATES:** Generously coat Cast Iron grates with vegetable oil or oil-based cooking spray to protect from moisture for storage to prevent rusting between uses. You may use a brass bristle brush or wire brush to clean Cast Iron Grates, if needed, prior to coating with vegetable oil for storage.
4. Store grill outside or inside - if you did not purchase a stainless steel hood, we recommend you invest in one of our high-quality vinyl covers.

SPIDER & INSECT ALERT

All outdoor appliances should be inspected thoroughly for spiders and insects if unit is sitting for a period of time between uses. Propane and natural gas contain an odorant that insects and spiders are attracted to. This leads them to build webs and nests in burner tubes and around control valves. Nests can form very quickly and are prevalent in areas with wet and humid conditions. We recommend the regular cleaning and inspection of the burners and control valves as a form of normal maintenance.

1. Warning Signs of a nest or web:
 - a. The smell of gas
 - b. Burners are hard to light or will not light at all
2. How to clean the burner tubes:
 - a. Turn off gas and completely disconnect grill from gas source. (let cool completely if previously lit)
 - b. Remove burner and visually inspect inside tube looking for a cotton-like substance that could be a web or nest.
 - c. If a mud-like substance is found, this is a sign of wasps and should be cleaned immediately
 - d. Use a pipe cleaner to remove any signs of web, nest, or other debris
 - e. Wipe off outside and each hole along burner to ensure nothing is clogging holes
 - f. Rinse with water if necessary
 - g. Dry burner thoroughly before replacing into grill.
3. How to clean the control valve orifice:
 - a. Turn off gas and completely disconnect grill from gas source.
 - b. Use small wire, needle or pipe cleaner to gently wipe away any debris from orifice.

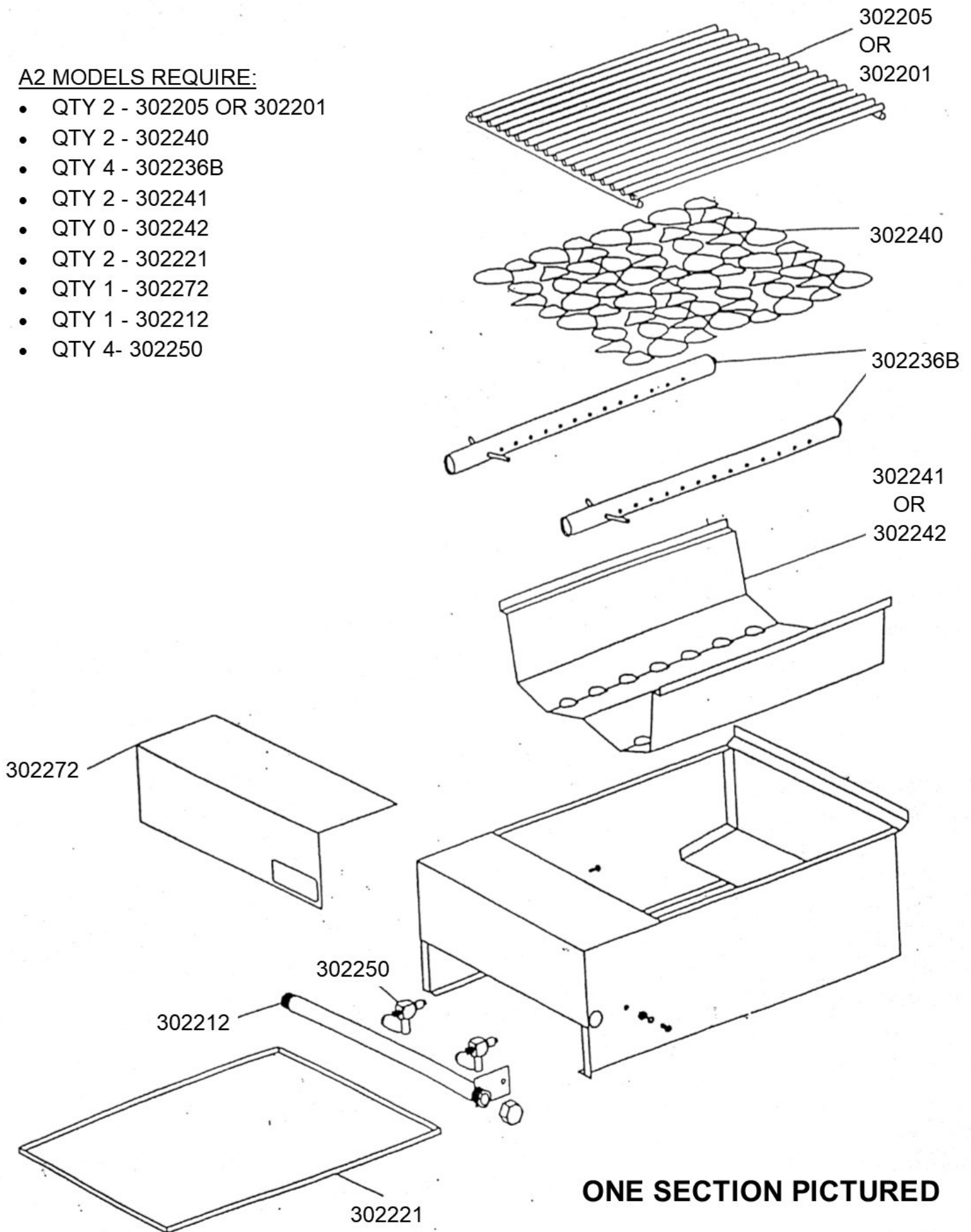
PARTS LIST

<u>Item #</u>	<u>Description</u>
302110B	Low Pressure Regulator with Brass POL (for use with 100 lb. propane tanks)
302110LL	Low Pressure Regulator with 200K Lime Green QCC-1 (propane tanks less than 100 lbs.)
302107	Brass POL with Black Hand Wheel Connector Only
302102LL	200K Lime Green QCC-1 Connector Only
302120A	6' Low Pressure Hose
302123A	10' Low Pressure Hose
302124A	12' Low Pressure Hose
302127A	15' Low Pressure Hose
302201	Cast Iron Cooking Grate
302205	Stainless Steel Cooking Grate
302240	6 lb. Bag of Lava Rock
302236A	Stainless Steel Burner Tube
302250	Control Valve Assembly with Black Knob
302253	Black Knob Only
302254LP	Liquid Propane (LP) Orifice Only
302254NG	Natural Gas (NG) Orifice Only
302241	Stainless Steel Burner Insert Pan - End
302242	Stainless Steel Burner Insert Pan - Center
302232	Stainless Steel Burner Insert Pan Cap
302221	Stainless Steel Drip Tray (17.5"L x 14.75"W x 0.375"H)
301049	Set of 2 Drip Tray Locks
302212	Pipe Manifold for A2CC
302272	A2CC Stainless Steel Work Shelf
102349	4" Swivel Caster with Brake
102344	Caster Wrench
302267	8" Wheel 1/2", No Bolt Included
800172	Bolt for 8" Wheel
800173	Nut for 8" Wheel
302215	Caster Socket for Country Club Grills

<http://www.bigjohngrills.com/categories/a2parts>

A2 MODELS REQUIRE:

- QTY 2 - 302205 OR 302201
- QTY 2 - 302240
- QTY 4 - 302236B
- QTY 2 - 302241
- QTY 0 - 302242
- QTY 2 - 302221
- QTY 1 - 302272
- QTY 1 - 302212
- QTY 4- 302250



<http://www.bigjohngrills.com/categories/a2parts>

ACCESSORIES

<u>Item #</u>	<u>Description</u>
301016	30# Propane Cylinder
301017	40# Propane Cylinder
302230	A2 Stainless Steel Roll-Top Hood
301139	Hood Hold Down Bracket with Thumb Screws
301138	2" Temperature Gauge for Stainless Steel Hood
301165A	VC-44; 44" Green Vinyl Cover for A2CC with Hood
301120A	VC-42; 42" Green Vinyl Cover for A2CC without Hood
301113	SG-3; 16" x 40" Steel Griddle with Grease Trap (Elevated Above Cooking Grates)
301110	SG-2; 15" x 30" Steel Griddle with 2 Handles (Sits Directly on Cooking Grates)
301106	SG-1; 15" x 16" Steel Griddle with 1 Stay-Cool Handle (Sits Directly on Cooking Grates)
302205V	Stainless Steel Vegetable Grate

<http://www.bigjohngrills.com/pages/gasgrillaccessories>

TROUBLESHOOTING GUIDE

PROBLEM(s): - Grill will not light completely - only a couple of burners will light before the whole grill turns off.
- Grill will light, but then turn off shortly after.
- Grill will not light

CHECK:

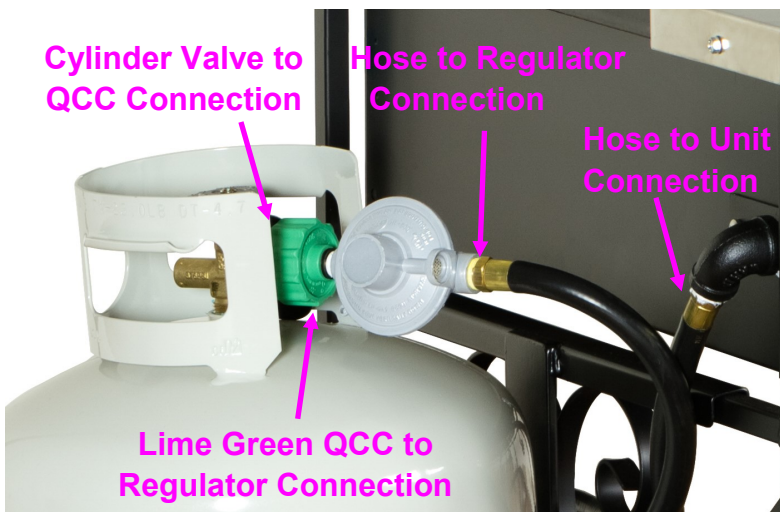
1. Check that all of the control valves are in the “CLOSED” position.
2. Check that you are using at least a 30# propane tank
3. Check that you have lava rock in the grill
4. Check that the QCC is lime green - black or dark green will cause lighting problems. If everything is correct, reset the system.

SOLUTION: To reset: Close all of the control valves on the grill & close propane tank valve. Then start the lighting procedure from the beginning. If the problem persists, Check for Leaks:



If you experience a QCC Failure, first check your system for leaks:

1. Turn off all control valves and turn off propane tank
2. Extinguish any remaining open flames
3. Let gas dissipate until odor is no longer detected
4. Make sure all control valves are closed and gas tank valve is off
5. In a spray bottle, mix together dish soap and water
6. Spray the following with soapy water mixture
 - a. Tank Valve to QCC (part that screws into tank from regulator)
 - b. QCC to Regulator
 - c. Regulator to Hose
 - d. Entire hose
 - e. Hose to Grill connection
 - f. Each Control Valve where it Connects to Manifold
 - g. Manifold end cap (opposite side from hose connection)
7. Turn on propane tank
8. Inspect each connection and length of hose for any bubbles being produced
9. If bubbles are detected (bubbles indicate gas is escaping), turn off propane tank and call Big John Grills to order replacement parts. Do not go to your local hardware store.
10. If no bubbles are detected, check to see if propane tank is empty.
11. If tank is not empty, please call Big John Grills for further assistance



Spray Soapy Water on All Propane Connections between Cylinder Valve and Unit to Test for Leaks

TROUBLESHOOTING GUIDE

PROBLEM: Frozen Regulator

CAUSE: Water in fuel or use of under-sized propane cylinder

SOLUTION: Make sure your propane tank is standing up vertically. Horizontal tanks cannot be used on Big John appliances. The two models of gas regulators that Big John has used over the years are the Marshall Brass model 230 and now the Gas-Flo model GR-800. Anything other than these two models of regulator is “after-market” and is not approved by Big John Corporation.

If you are using one of the two regulators listed above, please see below for possible solutions. If you are not, please call Big John Grills to purchase a replacement regulator.

1. Check that you are using at least a 30 lb. propane tank as most Big John equipment requires a minimum of a 30# propane tank due to the BTU draw. Use of 20 lb. cylinders is only acceptable for an appliance with a BTU draw of 60,000 BTU's or less. The more volume of LP fuel you are drawing from, the less likely you are to experience a freeze-up. Once a freeze-up occurs you can either switch tanks or pour warm water over the tank valve and QCC connector. Make sure the vent hole in the regulator is pointed downward so no water gets in the regulator. Freeze-ups are most likely to occur in high humidity or extremely cold situations.
2. If you continue to have freeze-up issues, there is a possibility that condensation in the fuel is the cause of the problem. Condensation can accumulate in the propane tank if it was not purged correctly when it was put into service. Take the tank to your professional filling station and ask them to purge the tank before re-filling.

WARRANTY INFORMATION

Big John Corporation provides a warranty, to the original purchaser, for all Big John finished units for a period of 1 year from the date of sale. Any unit, or part thereof returned, freight prepaid, to our Sales & Logistics facility, will be repaired or replaced to our commercial standard, free of charge, and returned to the purchaser. Labor and transportation costs are NOT covered by this warranty. Misuse, neglect, or alteration of the product is not covered by this warranty. This warranty is established automatically upon receipt of the goods. No warranty card or registration procedures are required.

Outgoing warranty shipments must be F.O.B. factory (Bellefonte, PA). All items requested for return must be received within 30 days of the return authorization being granted to the customer or no warranty credit will be considered.

WARNINGS

FAILURE TO FOLLOW THE DANGERS, WARNINGS, CAUTIONS, AND INSTRUCTIONS OUTLINED IN THIS MANUAL MAY RESULT IN SERIOUS BODILY INJURY OR DEATH, OR CAUSE DAMAGE TO PROPERTY BY FIRE OR EXPLOSION.

- Do not use this grill unless all parts are in place. This unit must be assembled properly according to the assembly & set-up instructions listed in this manual. Failure to do so is dangerous.
- Always check your grill for gas leaks and burner obstructions before use. See instructions in this manual for correct procedures.
- Do not store or use gasoline, other flammable liquids, or vapors in the vicinity of this product.
- Do not store extra liquid propane cylinders within the vicinity of this product.
- Always position the propane cylinder so that the connection between the valve and the regulator will not cause any sharp bends in the hose.
- Do not operate any equipment, including this grill, if there is a gas leak present.
- Do not use a flame to check for gas leaks.
- Combustible materials should never be within 12 inches of this grill in any direction.
- Do not put anything flammable in the area under the grill.
- No Big John Grills & Rotisseries equipment should be used by children.
- Accessible parts of the grill may be very hot. Keep children away when in use.
- Big John equipment should never be left unattended or moved while in operation.
- You should exercise reasonable care when operating your grill and remember it will be hot during cooking and cleaning.
- Should the burners go out while in operation, turn off all gas valves and turn off gas source. Let stand for 5-10 minutes before attempting to relight using the lighting instructions found in this manual.
- Only grill grade lava rock should be used in this grill. Do not use wood, charcoal, ceramic briquettes, landscaping lava rock, or other materials. This grill will not function properly if grill grade lava rock is not used.
- Never lean over an open grill or place hands or fingers on the front work shelf or grill grates.
- Should an excessive flare-up occur, turn off all burners and propane tank and wait until fire is out. Put hood down if applicable to help smother flames.
- Clean your Big John grill thoroughly on a regular basis.
- Keep any electrical cords or fuel supply hose away from heated surfaces at all times, especially when in use.
- Use heat-resistant barbecue gloves or mitts when operating grill.
- Do not enlarge valve orifices or burner holes when cleaning.
- Do not attempt to disconnect any gas fittings while your grill is in operation.
- DO not store or lean items against grill surface or fuel cylinders while operating.
- Liquid propane is NOT natural gas. The attempted use of natural gas in a liquid propane unit or liquid propane gas in a natural gas unit is dangerous and will void your warranty. If you wish to change your unit from LP to NG or vice versa, please call a Big John Customer Service Agent to obtain required parts.
- Only use the supplied hose and regulator for this grill. Do not use one purchased from a gas company or hardware store. Natural gas connections must be made to meet your local codes.
- Do not attempt to disconnect the gas regulator or hose assembly while unit is in operation.
- Make sure the POL or QCC Connector is free from scratches or nicks which can cause gas leaks.
- Do not paint propane tanks any color other than white. Any alteration to tank color may result in tank purging, fire, personal injury, or death.
- NEVER store or use propane cylinders indoors.
- Always keep a propane cylinder in a secure, upright position while transporting or storing. Do not lay tanks on their side.
- Never keep propane cylinders (full or empty) in a hot vehicle. Heat could cause the relief valve to purge propane creating a very dangerous situation.
- Always keep the cylinder valve closed when not in use.
- Do not store a liquid propane cylinder in/on any part of the appliance not intended for such use. Improper storage of a cylinder could lead an explosion, fire, personal injury, or death.
- Propane gas is denser than air and will collect in low areas. Use caution when dealing with any such fuels.
- Do not use a dented or rusted liquid propane cylinder as it may be hazardous and should be checked by your propane dealer.
- Do not use a propane cylinder with a damaged valve.
- Although your propane cylinder may appear empty, there may still be gas present. The cylinder should be stored and transported accordingly.
- If you see, smell, or hear the hiss of gas escaping from the liquid propane cylinder:
 1. Move away from the cylinder
 2. Do not attempt to correct the problem yourself.
 3. Call your fire department.

This Page Intentionally Left Blank